

O-SELECT Specifications

Version: October 2015



We make it visible.

System description

Type	Digital profile projector
Sensor mounts	ZEISS Optics with Greyscale Camera for one shot measurement
Measuring Range (FOV= Field of View)	114 x 91,5 mm Maximum Workpiece Height 60 mm
Software	ZEISS O-SELECT Software

Sensor

ZEISS Optic	Double Telecentric ZEISS Optics with 2D camera sensor with image processing functionality, autofocus and automatic lighting adjustment, working distance 125 mm, 2x8-segment ring light, transmitted light, optional coaxial light
-------------	--

Permissible measurement errors ¹⁾

Length measurement error ²⁾ MPE as per ISO 10360-7:2011	EB XY (2D)	in μm	at 20 \pm 2°C	4.5 + L/100
Repeatability range of EB MPL complies with ISO 10360-7:2011	RB	in μm	at 20 \pm 2°C	0.9
Probing error MPE as per ISO 10360-7:2011	PFV2D	in μm	at 20 \pm 2°C	4

Recommended environmental conditions for permissible measurement error

Ambient temperature	at 20°C \pm 2K
---------------------	------------------

Dynamics of Focusing Axis

Travel speed	in mm/s	Axes	0 to 40
Acceleration	in mm/s ²	Axes	200

Requirements for operational readiness

Relative humidity	40 % to 70 % (without condensation)
Ambient temperature	+17°C to +35°C
Electrical power rating	100-240V VAC \sim (\pm 10 %); 50-60 Hz (\pm 3.5 %) Max. power consumption: 160 VA (without PC)

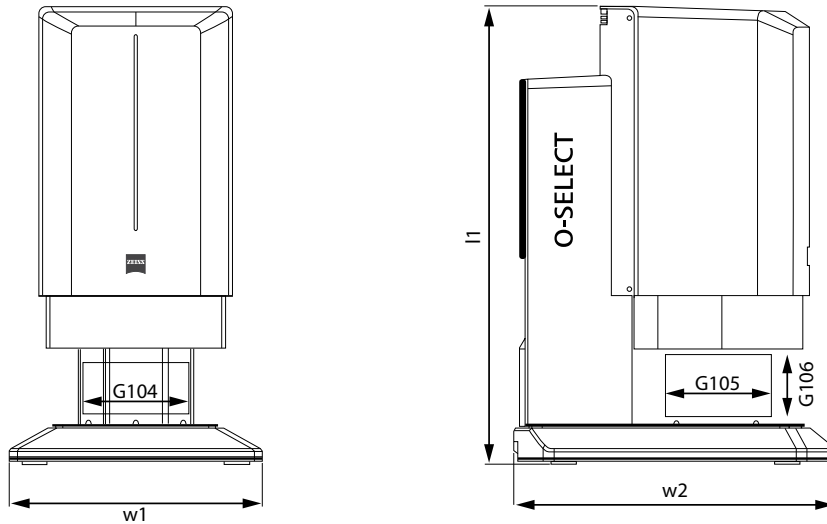
Technical features

Controller	CNC-Controller SC9
Data technology	Delivered with a fully equipped workstation
Accessoires (optional)	Coaxial light

1) Within the focal plane

2) Measuring length L in mm.

ZEISS O-SELECT sizes	Dimensions in mm					Weight in kg		Profile projector
	Footprint		Measuring range			Max. workpiece height	Max. workpiece	
	w1	w2	l1	G104	G105	G106		
	402	510	727	114	91,5	60	4	28
Transport Package (without PC)	Size (with pallet): 640 x 600 x 950 mm Weight: 40 kg							



Approvals

Regulations The ZEISS O-SELECT complies with EC machine directive 2006/42/EG and EMC directive 2004/108/EC.



Disposal ZEISS products and packaging returned to us are disposed of in accordance with applicable legal provisions.

Certification/accreditation

Quality management system ISO 9001:2008
VDA 6, Parts 4, 2. Version 2005

Environmental management system ISO 14001:2004

Occupational health & safety management systems BS OHSAS 18001:2007

Accredited ISO/IEC 17025:2005

Carl Zeiss

Industrielle Messtechnik GmbH

73446 Oberkochen / Germany

Sales: +49 7364 20-6336

Service: +49 7364 20-6337

Fax: +49 7364 20-3870

Email: info.metrology.de@zeiss.com

Internet: www.zeiss.de/imt

Carl Zeiss

Industrial Metrology, LLC

6250 Sycamore Lane North

Maple Grove, MN 55369/USA

Phone: +1 763 744-2400

Fax: +1 763 533-0219

Email: info.metrology.us@zeiss.com

Internet: www.zeiss.com/metrology